

技术图表
Technical Data

SPS50000

Serial number:

DB-016

Version:06/2019

SANY PALFINGER SPV EQUIPMENT CO.,LTD
Rudong Development Zone, Nantong, Jiangsu, China
Service Hotline: +86 4008 835318
www.sanypalfinger.com

如果变更，必须把制造公差考虑在内。
 Subject to change, production tolerances have to be taken into account.

基本参数	Basic data	SPS50000C-H
额定起重力矩	Rated lifting moment	50 mt
额定吊载质量	Rated lifting capacity	20000 kg (2.5 m)
最大工作幅度	Max. outreach	21.2 m
吊钩最大倍率	Max. lines of the hook	6
回转角度	Slewing angle (continuous)	全回转
变幅角度范围	Boom raising angle	0~75°
最大起升高度(以支腿全伸地面为基准)	Max. lifting height(the measurement from the ground after the outriggers fully extended)	23.2 m
起重臂基本臂长	Length of the basic boom	6.25 m
起重臂全伸臂长	Length of fully extended boom	21.6 m
起重臂节数	Boom sections	5
支腿跨距 (全伸)	Outrigger span(fully extended)	7.25 (m)
推荐系统流量	Recommended volume for the system	80-110 L/min
系统额定压力	Operating pressure	32 Mpa
推荐油箱容积	Recommended oil tank capacity	300 L
力矩 (动态)	Crane moment (dynamic)	913.8 kNm 93.1 mt
扭矩 (动态)	Torsional moment (dynamic)	52.5 kNm 5.4 mt

备注

以上速度是在液压油温45 ~ 55℃，无负荷，推荐流量情况下的最大值。

NOTE

The mentioned speed is the maximum value when the crane is operated without load and under the recommended volume which with oil temperature 45 ~ 55 °C .

如果变更，必须把制造公差考虑在内。
Subject to change, production tolerances have to be taken into account.

吊机重量	Crane weight	
高位座椅SPS50000C-H	High Seat SPS50000C-H	6800 kg

备注
吊机重量不包含改制包等重量。

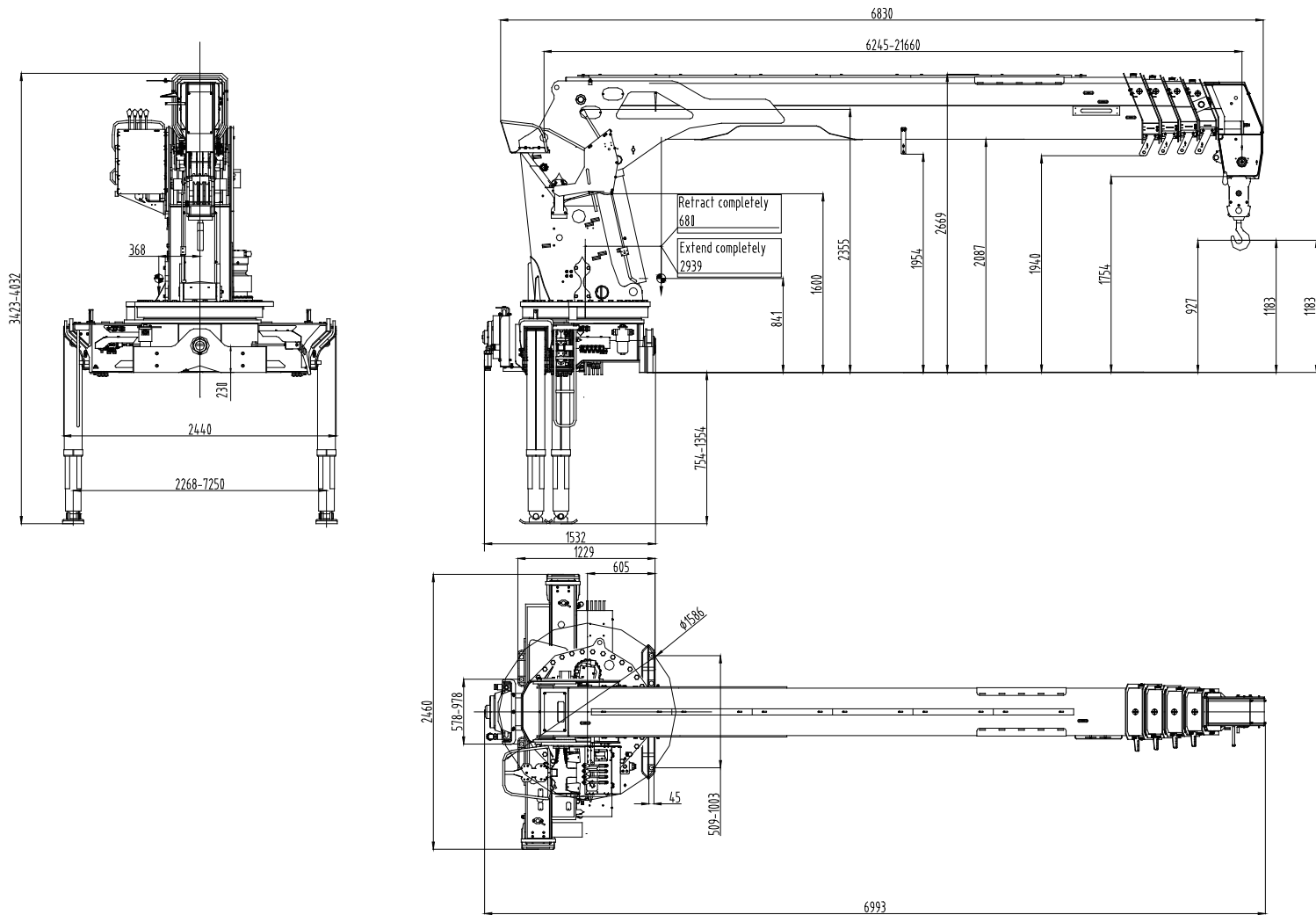
NOTE
The weight of the mounting kit was not included in the mentioned crane weight.

如果变更，必须把制造公差考虑在内。
 Subject to change, production tolerances have to be taken into account.

SPS50000C-H

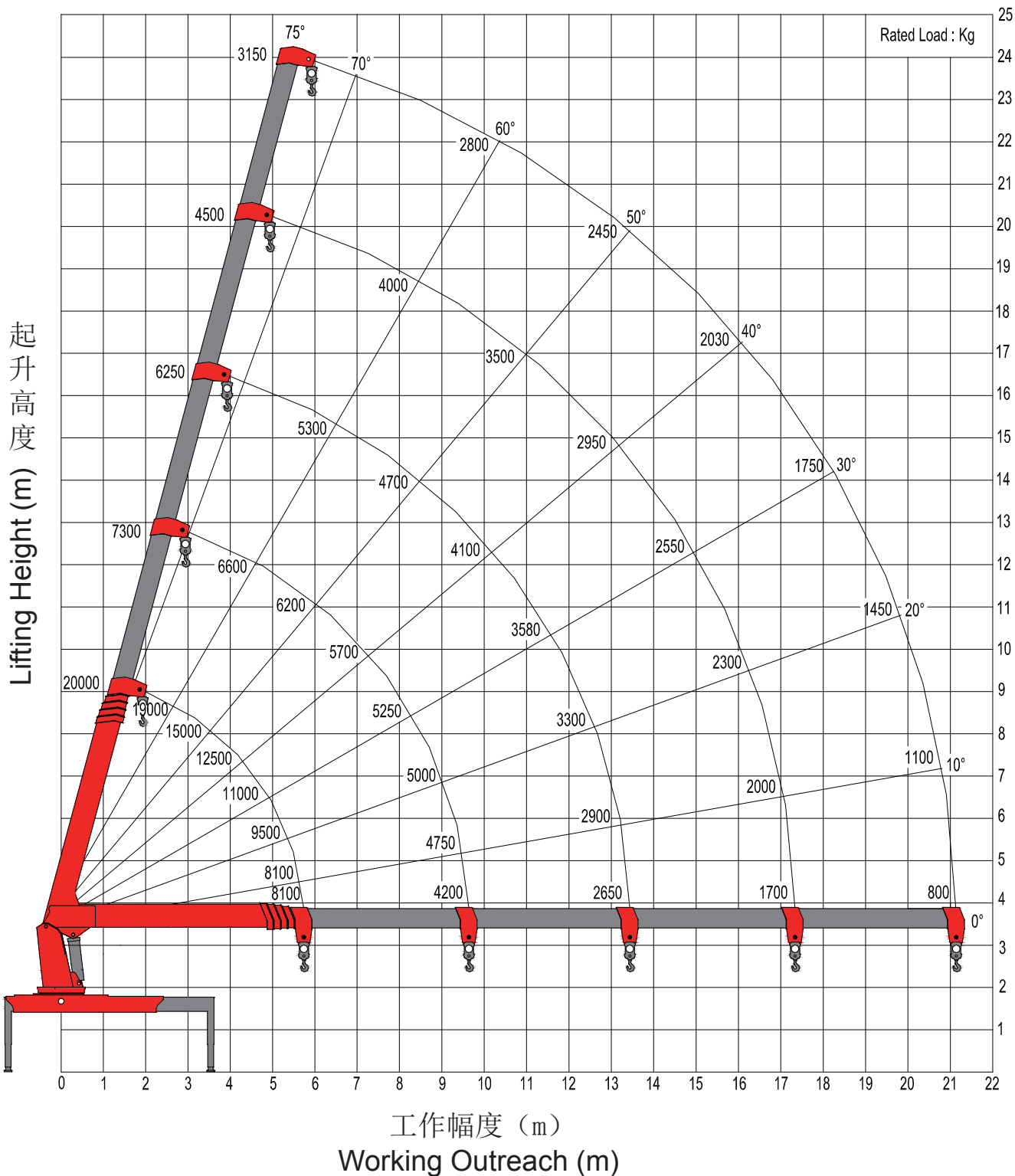
**Dimensions
 尺寸**

**Crane
 吊机**



备注
 座椅属于选配件。
 NOTE
 The low-seat is optional equipment.

如果变更，必须把制造公差考虑在内。
Subject to change, production tolerances have to be taken into account.



备注

以上作业高度与臂架幅度为吊臂处于不加载荷状态，实际吊臂加载后作业高度与幅度将发生变化，额定载荷将不能超过吊机整车倾翻载荷的85%。

NOTE

The above lifting heights and boom angles are based on a straight (unladen) boom. Allowance should be made for boom deflection under laden conditions. Lifting capacities must not exceed 85% of tipping load.

